

www.maqmining.cl

## TUNNEL LOADING MACHINE

# MAQLoader

**MAQMINING**  
COMERCIALIZACION DE MAQUINARIA Y ARRENDOS



**MAQLoader**

HRS 112



## TUNNEL LOADING MACHINE

**Technical data HRS 112**

Los Canelos #137  
San Bernardo  
Santiago - Chile  
Fono / Fax: (56 - 2) 857 54 09  
e-mail: rquero@maqmining.cl



## DRIVE UNITS

Electric drive for emission-free work at the face.

Air-cooled electric motor.

Nominal power 55 kW

Diesel drive for travelling and operation without electric supply.

Air-cooled diesel engine.DEUTZ F6L 912W

Power rating at 2,300 r.p.m 63 kW

Diesel engine with two-stage combustion process, complies with exhaust emission standard for underground and mining:MSHA

## ELECTRICAL SYSTEM

Total installed power 60 kW

Voltage (standard) 400 V - 50 Hz AC

Control voltage 24 V DC

Electrical system acc.to DIN EN 60439 + VDE 113

Option:cable reel electric driven with 60 m cable,4x50 mm<sup>2</sup>.

## OPERATOR'S CAB

Operator's cab gives all-round visibility

Option:Roof to fold down for transport.

## HYDRAULICS SYSTEM

Electro-hydraulic and Diesel hydraulic power packs each with a separate pump unit with variable flow rate.

Control by pilot and manual operated hydraulic valves.

Max.hydraulic operating pressure 250 bar

Hydraulic oil capacity (incl.tank) 240 l

Hydraulic oil tank 170 l

## OPERATING DATA (E4 boom equipment)

Min.cross section approx.8 m<sup>2</sup>

Machine width (with 63 kW Diesel) 2,050 mm

Max.height 2,500 mm

Transport height 2,250 mm

Length (dep.on equipment) ~9,000 mm

Width of loading apron (adjust.) up to 3,000 mm

Width of conveyor 620 mm

Conveyor capacity approx.150 m<sup>3</sup>/h

Conveyor discharge height 1,500-2,500 mm

Operating weight approx.15 t

## BOOM EQUIPMENT

E4 Mucking boom equipment for excavation of soft ground and/or loading of blasted material, composed of:

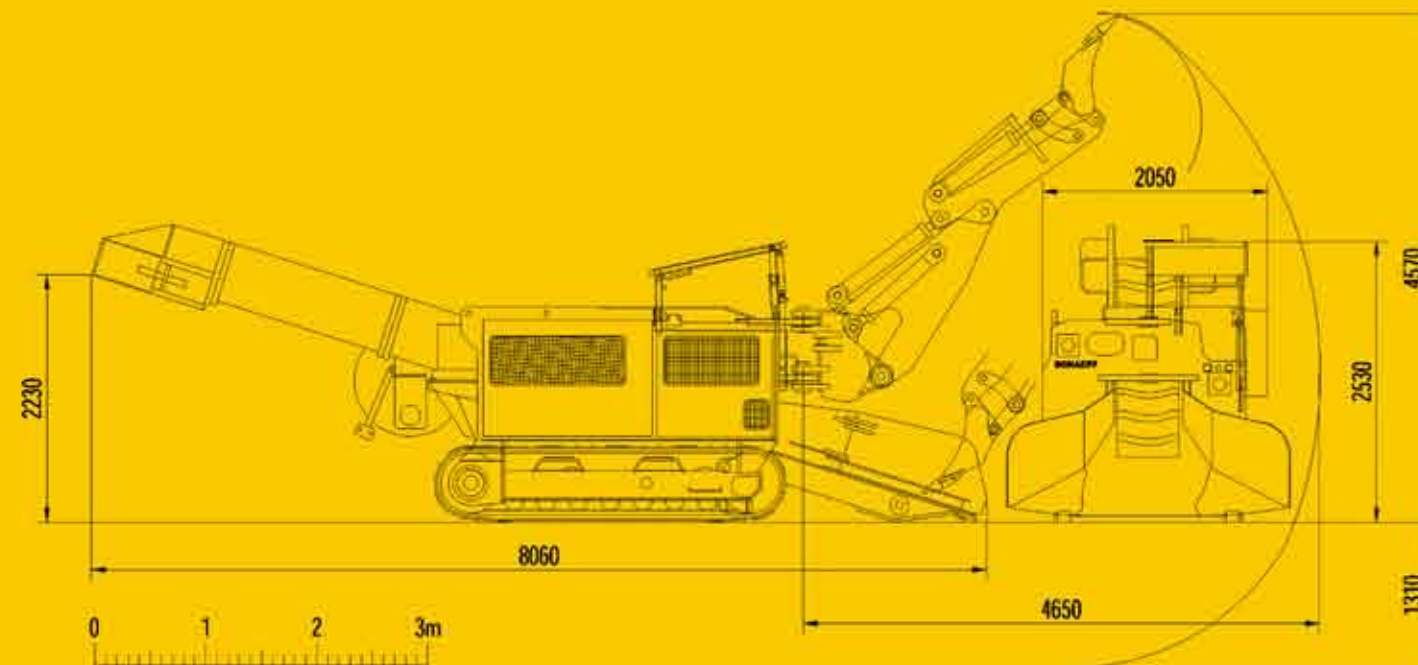
- King post with its jib
- Dipper stick
- Excavation bucket or rock bucket
- Hydraulic circuit for a light hydraulic rock breaker.
- Loading capacity acc.to rock conditions approx.2-2,5 m<sup>3</sup>/min.

## OTHERS EQUIPMENTS

There is the possibility for the attachment of a range of ancillary equipment such as different bucket sizes ranging from 350 to 700 mm, ripper tooth, light hydraulic rock breaker or transverse cutting unit, pony truck, rubber plated conveyor, other boom equipment, quick hinge system, etc.

Further details of attachments and accessories available upon request.

Subject to modification without prior notice.



# POWER

